



EQUIPMENT FOR INSIDE CABINETS

A whole range of extra furniture accessories

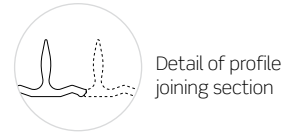
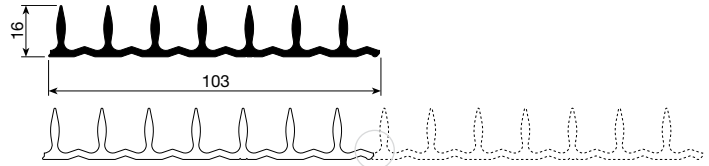
	<i>pp.</i>
1 CD, DVD, VHS HOLDERS	818
2 ALUMINIUM SHELF	820
3 WIRE DUCTING	822
4 ALUMINIUM TIE RACK	823
5 TROUSER RACK	824
6 CLOTHES RAILS	825
■ Dressy	825
■ Aluminium clothes rail	826
■ Clothes rail and supports	827
7 CLOTHES HOOKS	828
8 SHOE RACK	829
9 TIE RACK	829
10 TROUSER RACK	830
11 MOVABLE HANGER	800

1 CD, DVD, VHS HOLDERS

CD holder.

Aluminium anodized silk	163.100.512	1
-------------------------	-------------	---

Cut to size.

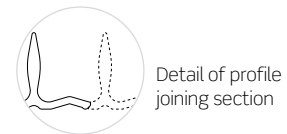
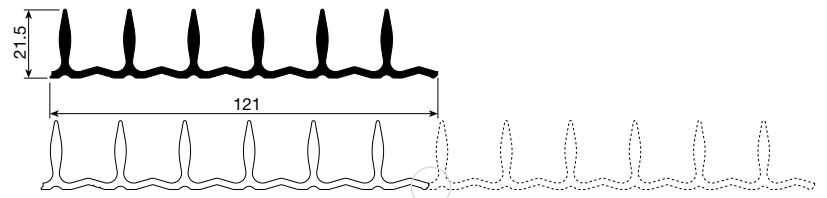


Detail of profile joining section

DVD holder.

Aluminium anodized silk	163.200.516	1
-------------------------	-------------	---

Cut to size.

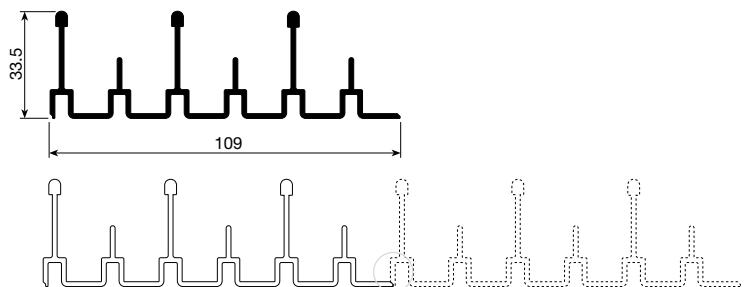


Detail of profile joining section

CD, DVD, VHS holder.

Aluminium anodized silk	163.300.513	1
-------------------------	-------------	---

Cut to size.

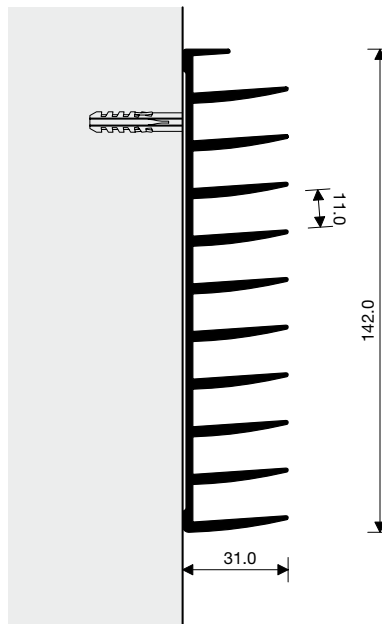
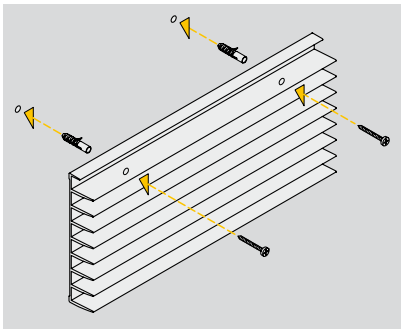


Detail of profile joining section

Wall-fix CD holder.

Aluminium anodized silk	163.000.515	1
-------------------------	-------------	---

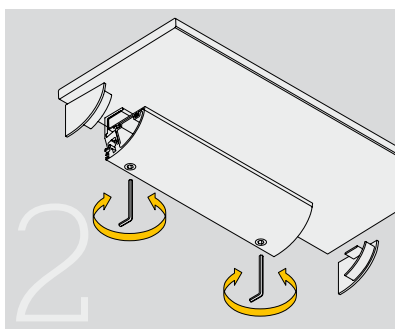
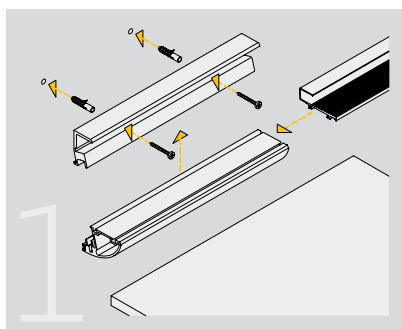
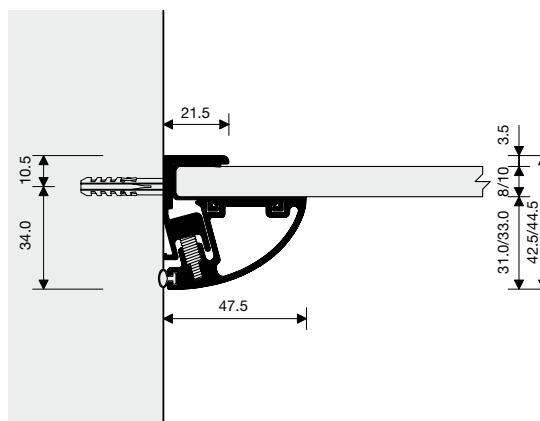
Cut to size.



Glass shelf support.


Aluminium anodized silk	158.200.512	1
-------------------------	-------------	---

Cut to size.

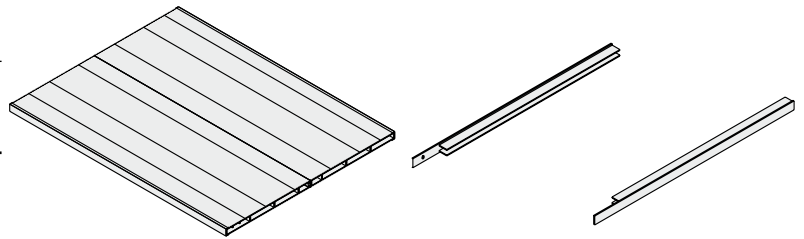


2 ALUMINIUM SHELF

Aluminium shelf.

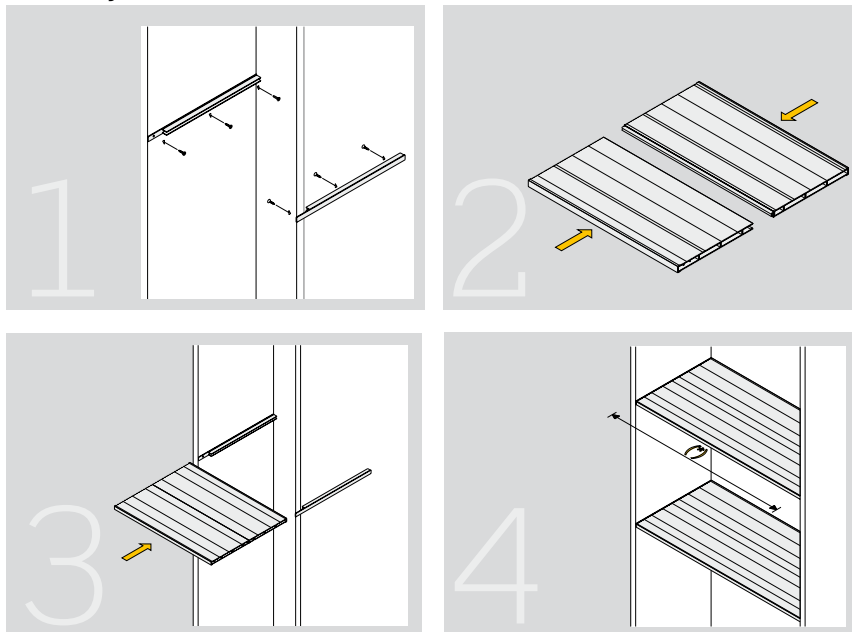
		
Anodized silk	164.600.516	1

Cut to size. Each ref. Consists of one shelf and two supports.



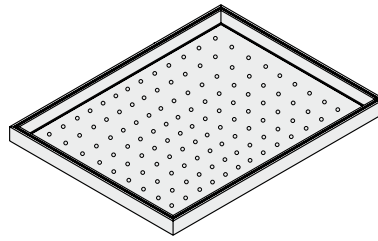
Technical data

Assembly

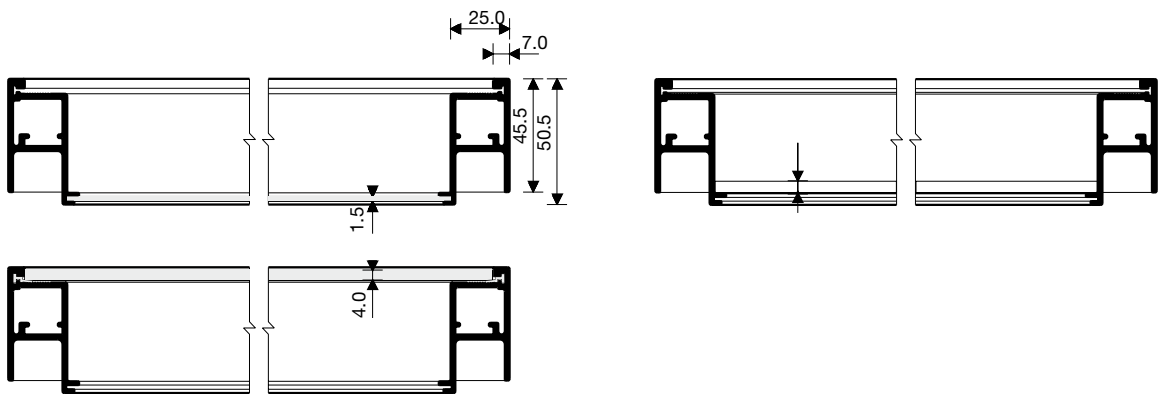


Tray for glass, wood and steel.

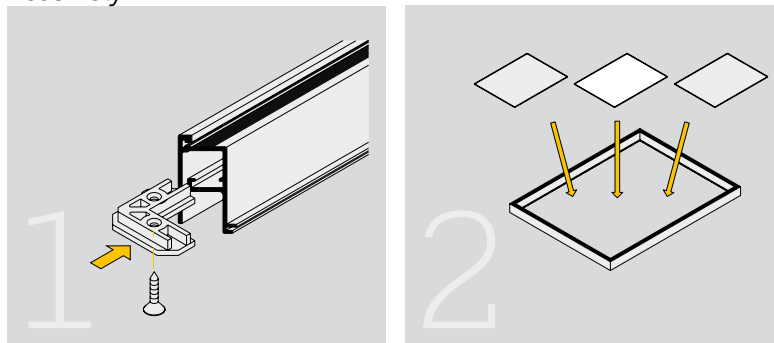
		
Anodized silk	164.800.510	1



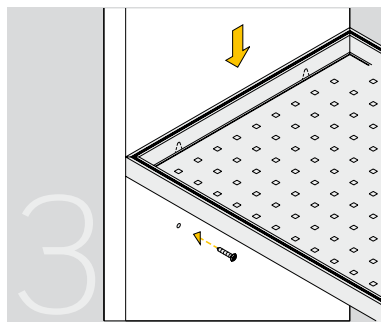
Technical data



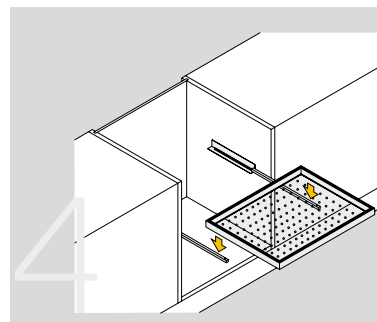
Assembly



Fixed tray




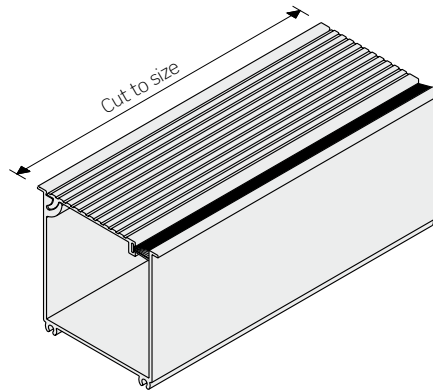
Pull-out tray



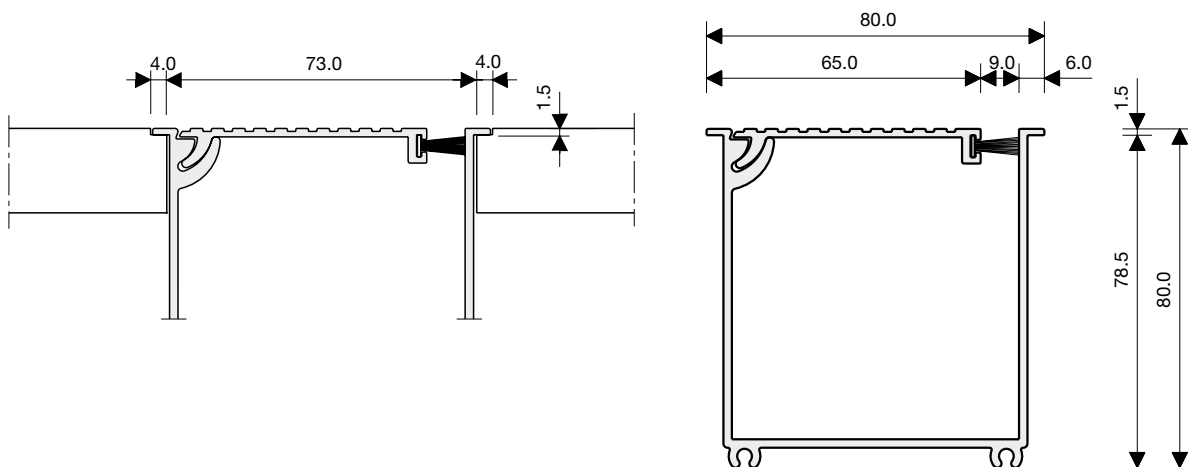
3 WIRE DUCTING

Wire ducting

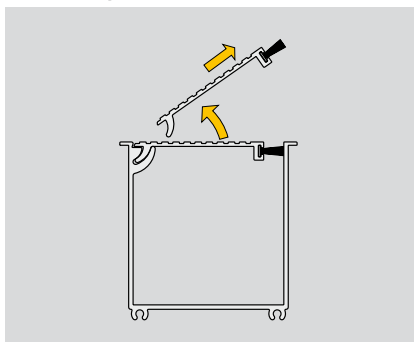
	Cut to measure	
Anodized silk	163.900.516	1



Technical data



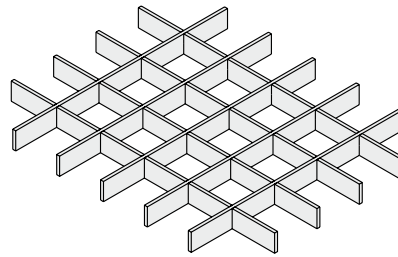
Assembly



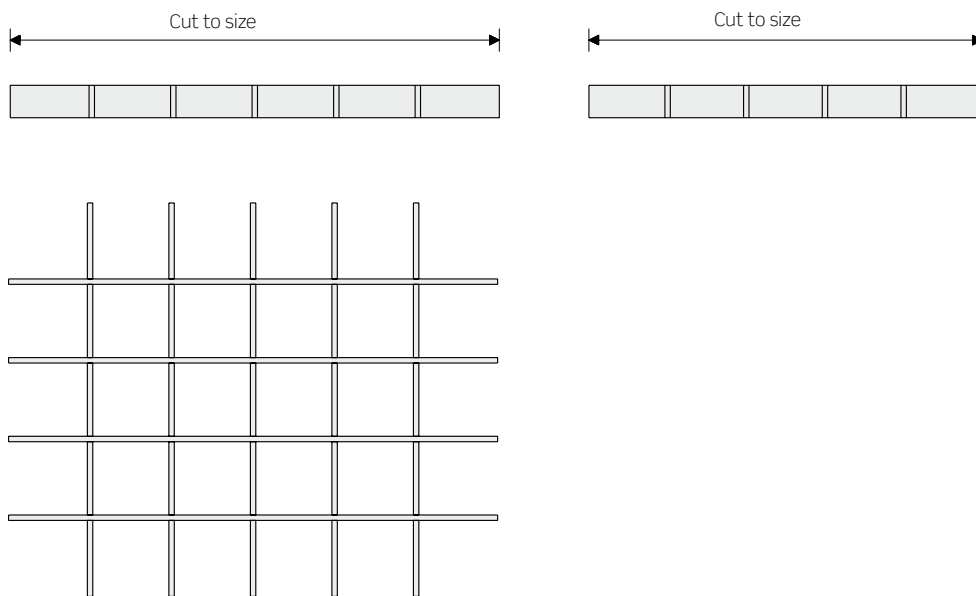
4 ALUMINIUM TIE RACK

Tie rack

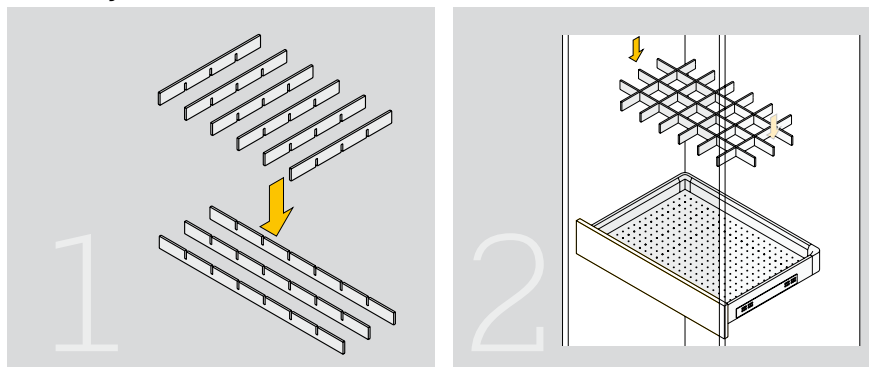
		
Anodized silk	164.400.515	1



Technical data




Assembly

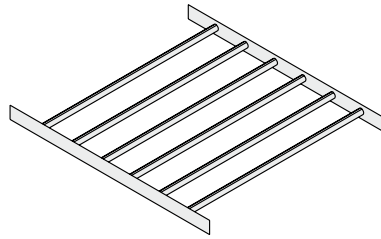


5 TROUSER RACK

Trouser rack.

			
Anodized silk	164.700.513	1	

Each reference is made up 2 exterior profiles, bars according to size and 1 bag of mounting supports.



Technical data

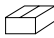
The technical drawing includes the following details:

- Dimensions:**
 - End flanges: 4.0
 - Bar spacing: 85.0 (repeated five times)
 - Bar thickness: 40.0
 - Overall height: C
- Assembly:**
 - Step 1: Shows the rack being inserted into a cabinet drawer.
- Mounting Support:**
 - A detailed view of the mounting support shows a circular base with a central screw hole and a top flange with six pre-drilled holes.

6 CLOTHES RAILS


■ Dressy

Clothes rail.

	Anodized silk	
Plain	162.530.513	10
Ribbed	162.630.510	

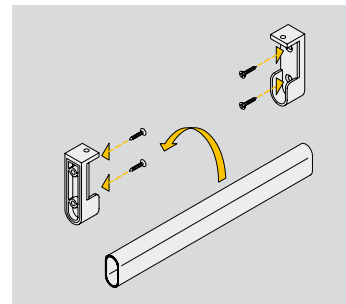
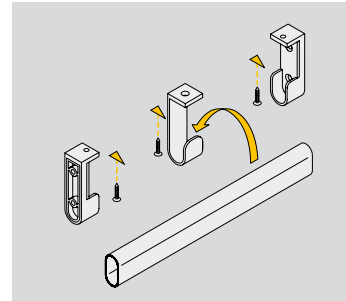
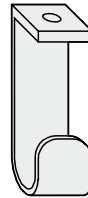
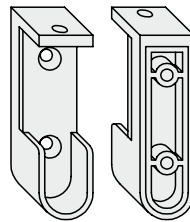
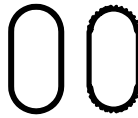
3m bars.

Support for tube.

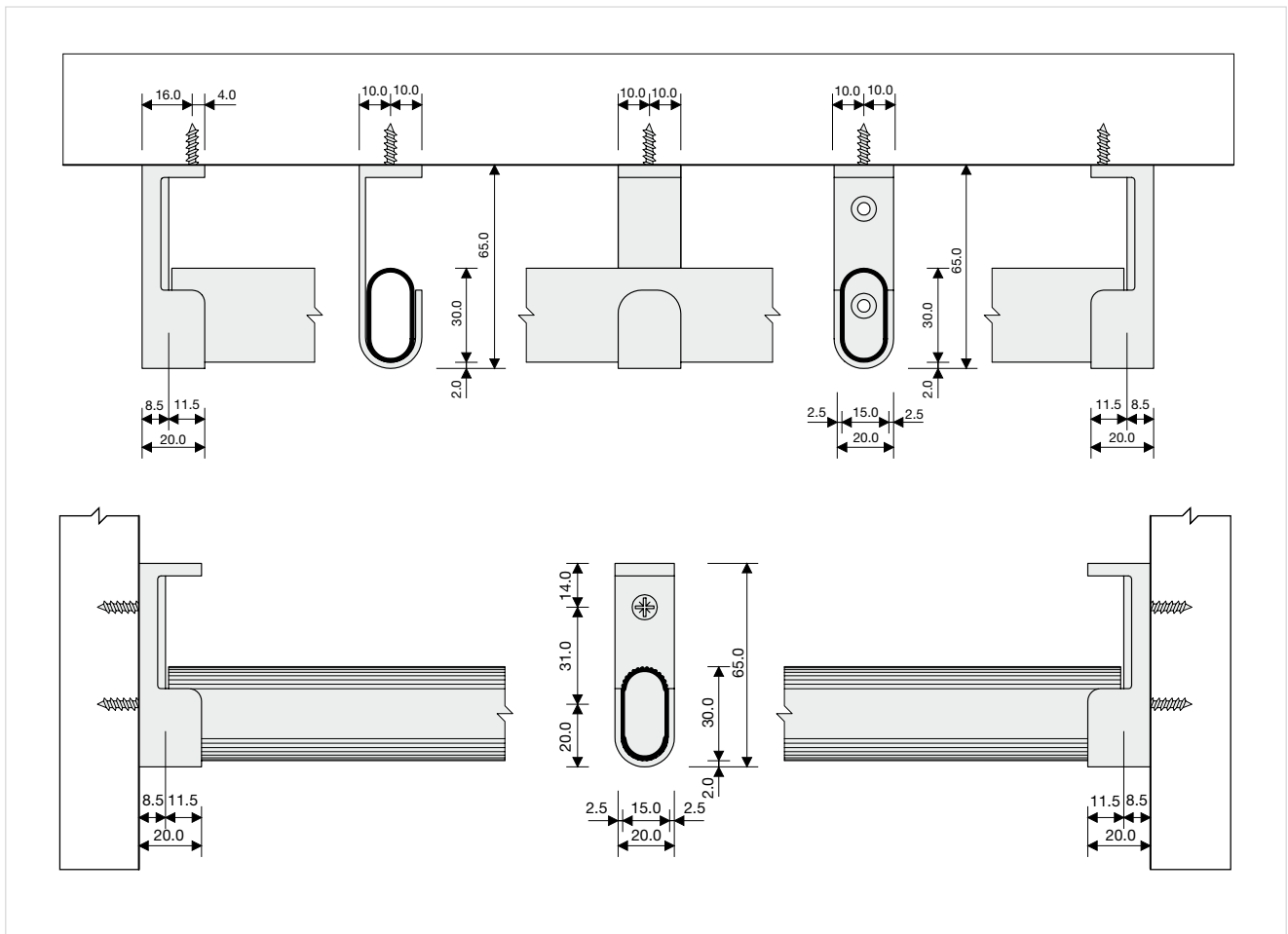
	Anodized silk	
	162.800.514	20

Intermediate support for tube.

	Anodized silk	
	162.900.511	20

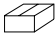


Technical data

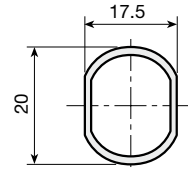


■ Hanger tube and support

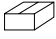
Plastic coated 20x17,5 hanger tube.

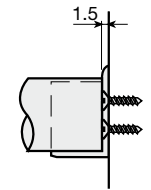
Length	Special length	5m	
White	885.000.001	885.100.005	Special length
Brown	885.000.012	885.100.016	25
Golden	885.000.174	885.100.171	5m
Black	885.000.023	885.100.020	10

Plastic coated steel.

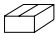


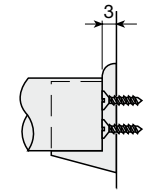
Steel support for 2 screws.

			
Zinc-plated	880.800.034		1.000
Blued	880.800.255		

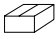


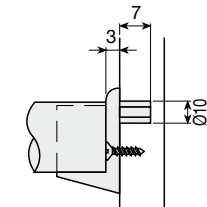
Support for 2 screws.

			
White	880.100.001		
Brown	880.100.012		200
Black	880.100.023		




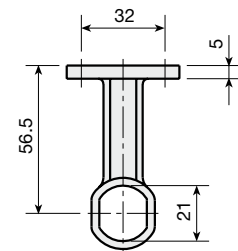
Support for 1 screw.

			
White	880.000.004		
Brown	880.000.015		200
Black	880.000.026		

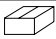


Intermediate support.

			
White	880.321.002		
Brown	880.321.013		100
Black	880.321.024		




End support.

			
White	880.221.005		
Brown	880.221.016		100
Black	880.221.020		

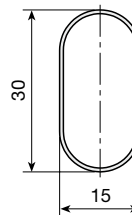


■ Hanging bar and supports


Oval hanging bar 30x15 welded.

Length	To order	4 metres	
Nickel-plated	884.250.065	884.740.065	To order 25
Brass-coated	884.250.113	884.740.113	4 Metres 15

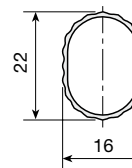
Made of steel.




Oval hanging bar 22x16.

Length	To order	5 metres	
Anonid. Silver	884.000.795	884.100.792	To order 25
Anonid. Gold	884.000.773	884.100.770	5 Metres 10

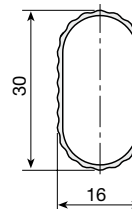
Made of aluminium




Oval hanging bar 30x16.

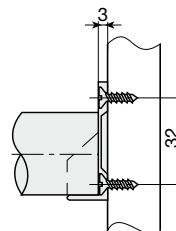
Length	To order	5 metres	
Anonid. Silver	884.930.793	884.830.796	To order 25
Anonid. Gold	884.930.771	884.830.774	5 Metres 10

Made of aluminium.




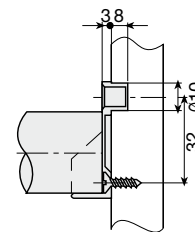
Bar support – 2 screws.

Length	To order	5 metres	
Nickel-plated	881.000.061	881.000.061	200
Brass-coated and varnished	881.000.573	881.000.573	




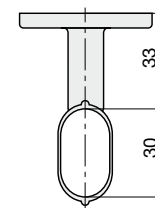
Bar support – 1 screw + pivot Ø10.

Length	To order	5 metres	
Nickel-plated	881.100.065	881.100.065	200
Brass-coated and varnished	881.100.570	881.100.570	




End bar support.

Length	To order	5 metres	
Nickel-plated	880.630.063	880.630.063	100
Brass-coated and varnished	880.630.575	880.630.575	



Intermediate bar support.

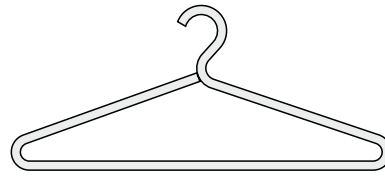
Length	To order	5 metres	
Nickel-plated	880.730.060	880.730.060	100
Brass-coated and varnished	880.730.572	880.730.572	



7 HOOKS AND HANGERS

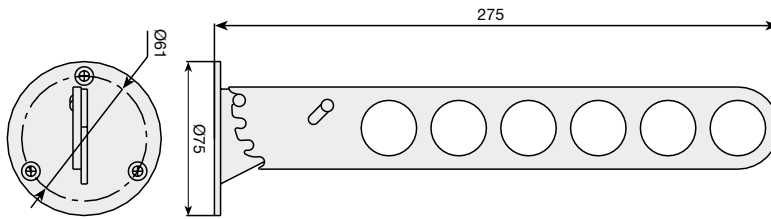
Clothes hanger.

Anodized silk	164.500.512	5
---------------	-------------	---



Folding clothes hanger for 6 hangers.

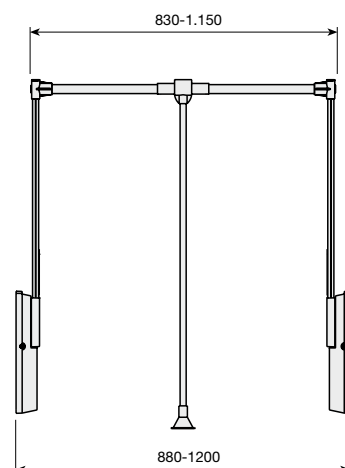
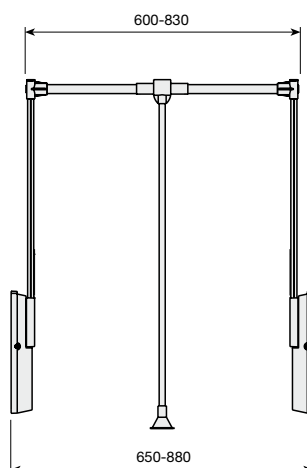
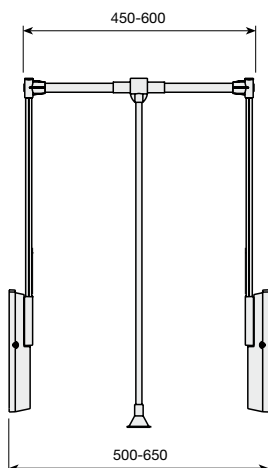
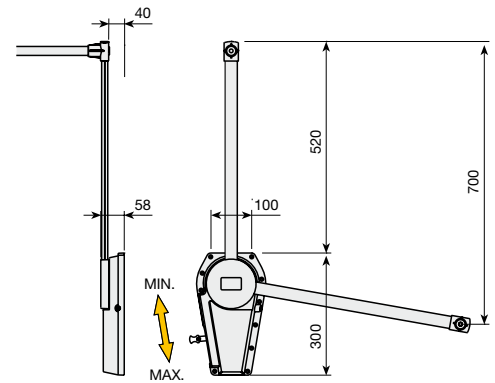
Chrome-plated		
Hanger	446.528.121	25



Double folding hanger.


Width (mm.)	Chrome-plated/grey	
500-650	446.850.143	
650-880	446.865.145	4
880-1200	446.888.142	

Each reference consists of a complete folding hanger with brackets so that it can be fixed to the side of the wardrobe.

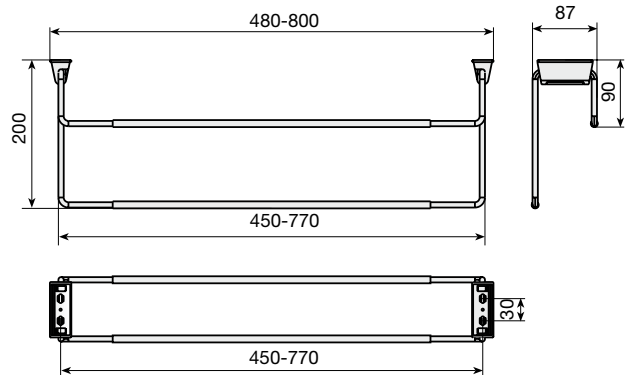


8 SHOE RACK

Extendable shoe rack.


Extension	Chrome-plated	
480-800mm.	446.740.125	20

Each reference consists of a shoe rack with two black plastic brackets.

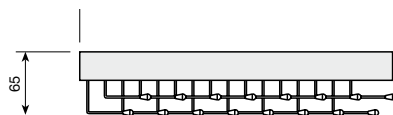


9 TIE RACK

16-Hook tie rack.

Black	446.216.024	
		5

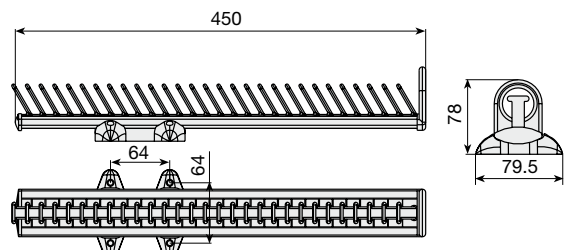
Screws supplied.



Tie rack.


Length	Grey	
450mm	446.445.145	32

Each reference consists of one tie rack with its corresponding bracket.

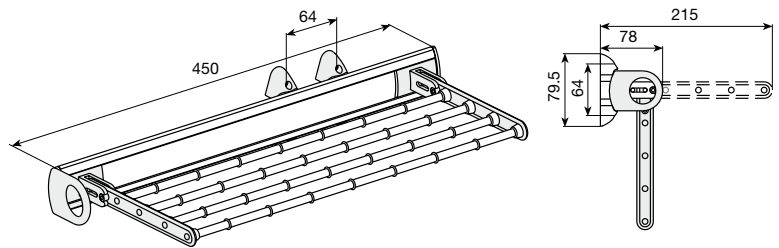


10 TROUSER RACK


Trouser rack.

Length	Anodized silver	
450mm	446.345.141	12

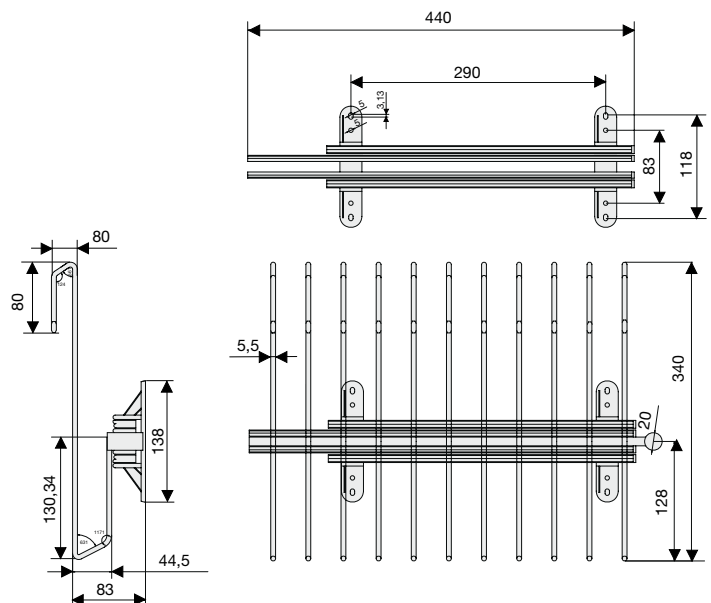
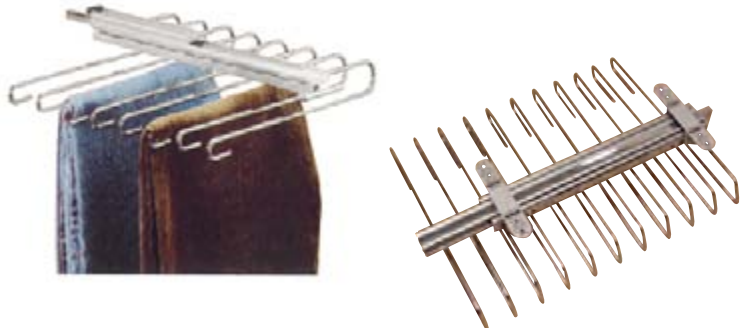
Each reference consists of one trouser rack with its corresponding bracket.



Pull-out trouser rack (fixed to wardrobe ceiling).

Extension	Chrome-plated	
10 Bars	446.610.124	5

Each reference consists of one trouser rack with 2 ball bearing runners with brackets to be fixed onto the ceiling of the wardrobe.

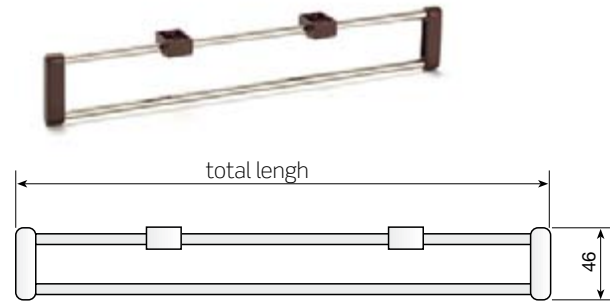


11 MOVABLE HANGER

Movable hanger.

	Length		
White Ral 9003	300	889.330.002	100
Brown Ral 8016	300	889.330.013	
Black Ral 9005	300	889.330.024	
White Ral 9003	350	889.335.005	
Brown Ral 8016	350	889.335.016	
Black Ral 9005	350	889.335.020	

Movable hanger with 2 plastic bodies and nickel-plated metal rods.



Movable hanger.

	Length		
White Ral 9003	300	889.830.001	50
Brown Ral 8016	300	889.830.012	
Black Ral 9005	300	889.830.023	
White Ral 9003	350	889.835.004	
Brown Ral 8016	350	889.835.015	
Black Ral 9005	350	889.835.026	

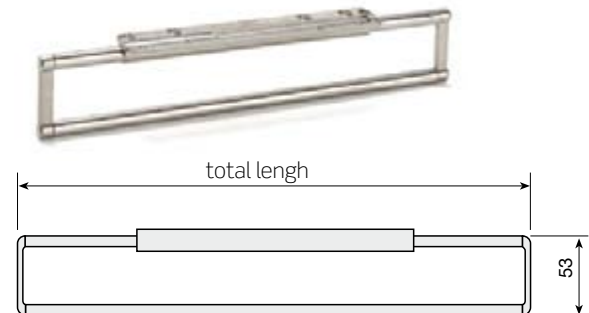
Hanger with plastic body and nickel-plated metal tube.



Movable metal hanger.

L			
300		889.630.066	50
350		889.635.062	

100% Metallic hanger.



Movable hanger.

	Length		
White Ral 9003	300	889.930.005	25
Gold	300	889.930.171	
Black Ral 9005	300	889.930.020	
White Ral 9003	350	889.935.001	
Gold	350	889.935.174	
Black Ral 9005	350	889.935.023	

Movable hanger with plastic body, upper nickel-plated tube, lower plastic-coated tube in white, gold and black.

