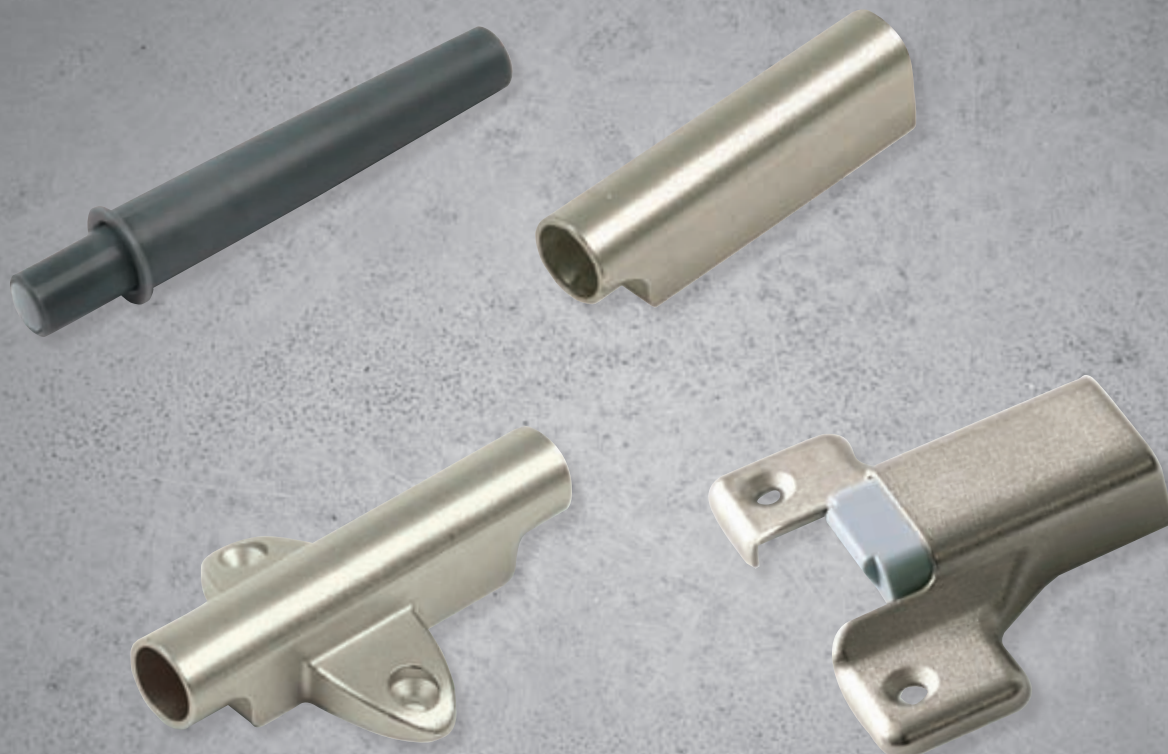


# DAMPERS

## INDAMATIC



INDA**matic**  
GRADUAL CLOSING

# DAMPERS

## Indamatic



New range of indamatic dampers for doors or drawer fronts, which are silent and easy to close, without any abrupt knocks or bouncing back. Different versions for different machining methods and assemblies: embedded and lay-on dampers, and adjustable to the hinge cup. Suitable for both kitchen and home furniture.

	<i>pp.</i>
<b>1</b> INDEPENDENT DAMPERS .....	31
■ Embedded .....	31
■ Lay-on .....	31
<b>2</b> INDAMATIC FOR MESUCO HINGES .....	31

## 1 INDEPENDENT DAMPERS

### ■ Embedded

Indamatic damper.

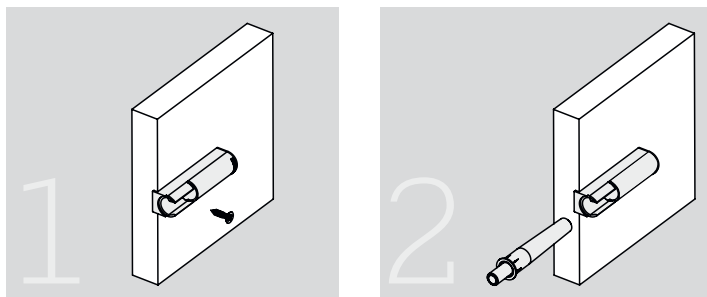
Gris	RAL 7043	213.400.143	100
------	----------	-------------	-----

Screw base for damper

Grey	RAL 7043	213.700.141	100
------	----------	-------------	-----

The recommended screw Ø3x12 pozi Ref. 982.112.036

### Assembly



### ■ Lay-on

Base plate s/32 for damper.

Nickel-plated zamak	213.500.066	100
---------------------	-------------	-----

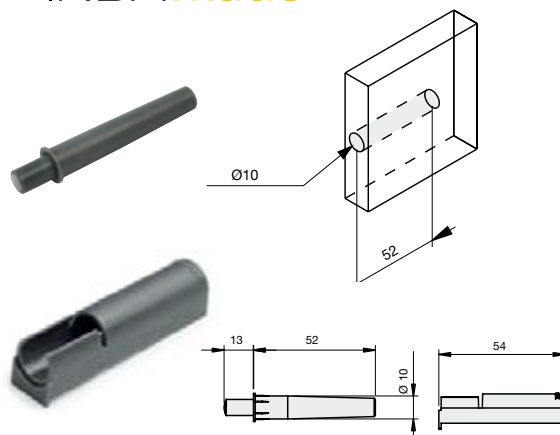
Reversible base plate: this base plate is valid for positioning the first drill at 28 or 37 mm.

Body and base plate for damper.

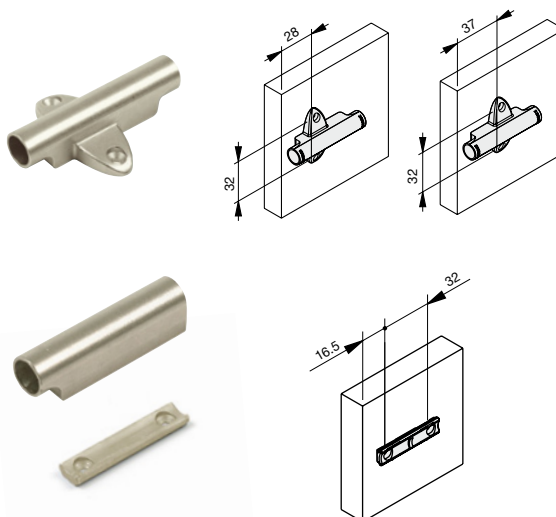
Nickel-plated zamak	213.600.063	100
---------------------	-------------	-----

Every ref. has 1 body and 1 base plate.

## INDAmatic



The base provides a flange for positioning on the edge of the furniture. Secure the Ø3x12 screw and then introduce the damper on the front.



## 2 INDAMATIC FOR MESUCO HINGES

This solution takes the Indaux high performance MESUCO hinges as its starting point, and then the damper is fitted into the cup, in order not to occupy any space inside the cabinet. The damper, which fits comfortably into the hinge, adapts to the weight and size of the doors as well as the closing speed.

Indamatic for hinge cup.

	Mesuco 143 rapid	Mesuco 131X / Mesuco 131X rapid	
Niquel-plated zamak	197.802.065	197.803.060	125
Niquel-plated zamak	197.805.064	197.805.064	

## INDAmatic

